



# **C65**

## **Inclined Platform Lift**

### **APPENDIX A**

### **ELECTRICAL SCHEMATICS**

**Part No. 000727**  
**24-m03-2010**

---

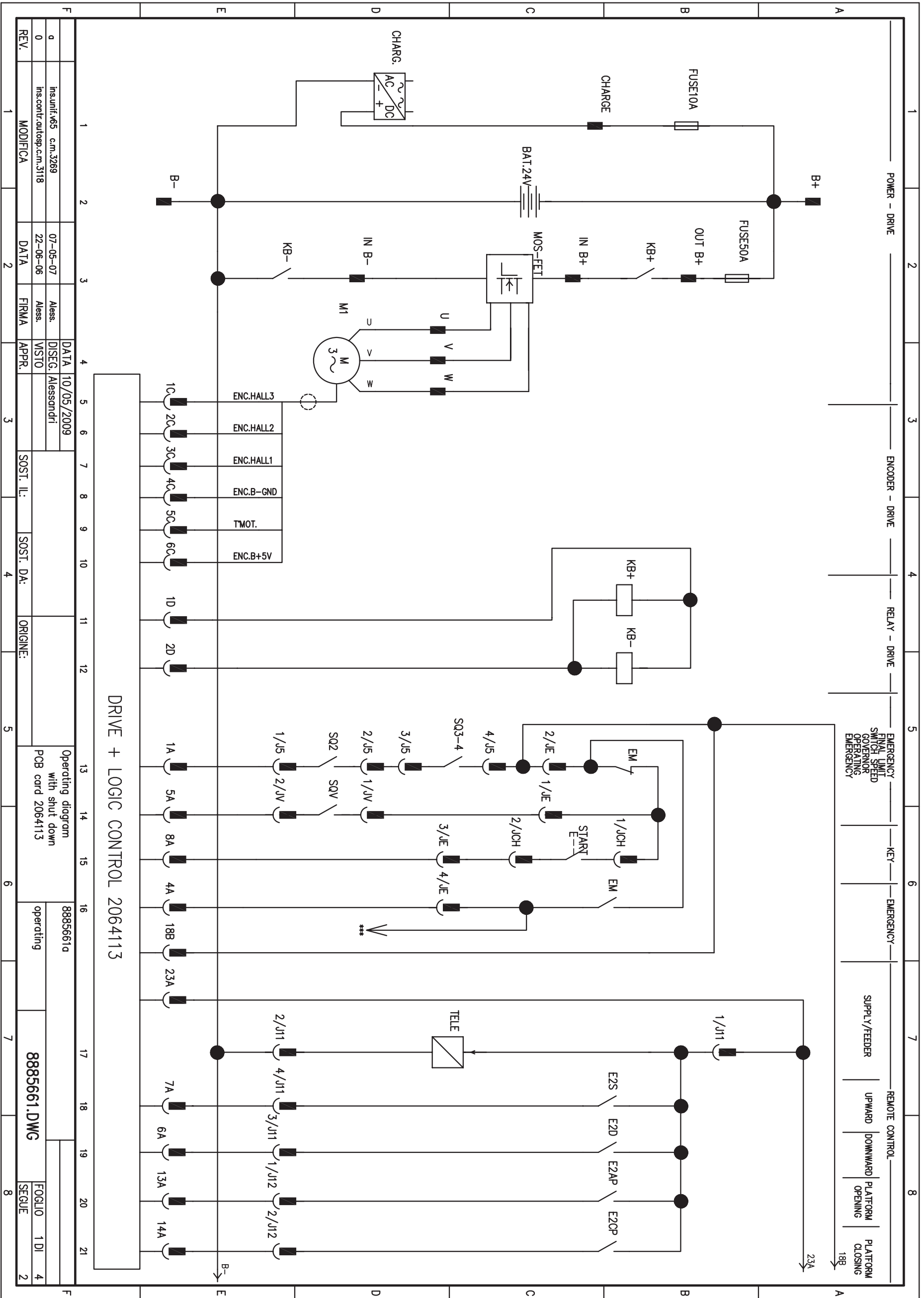
**C65**  
**Inclined Platform Lift**

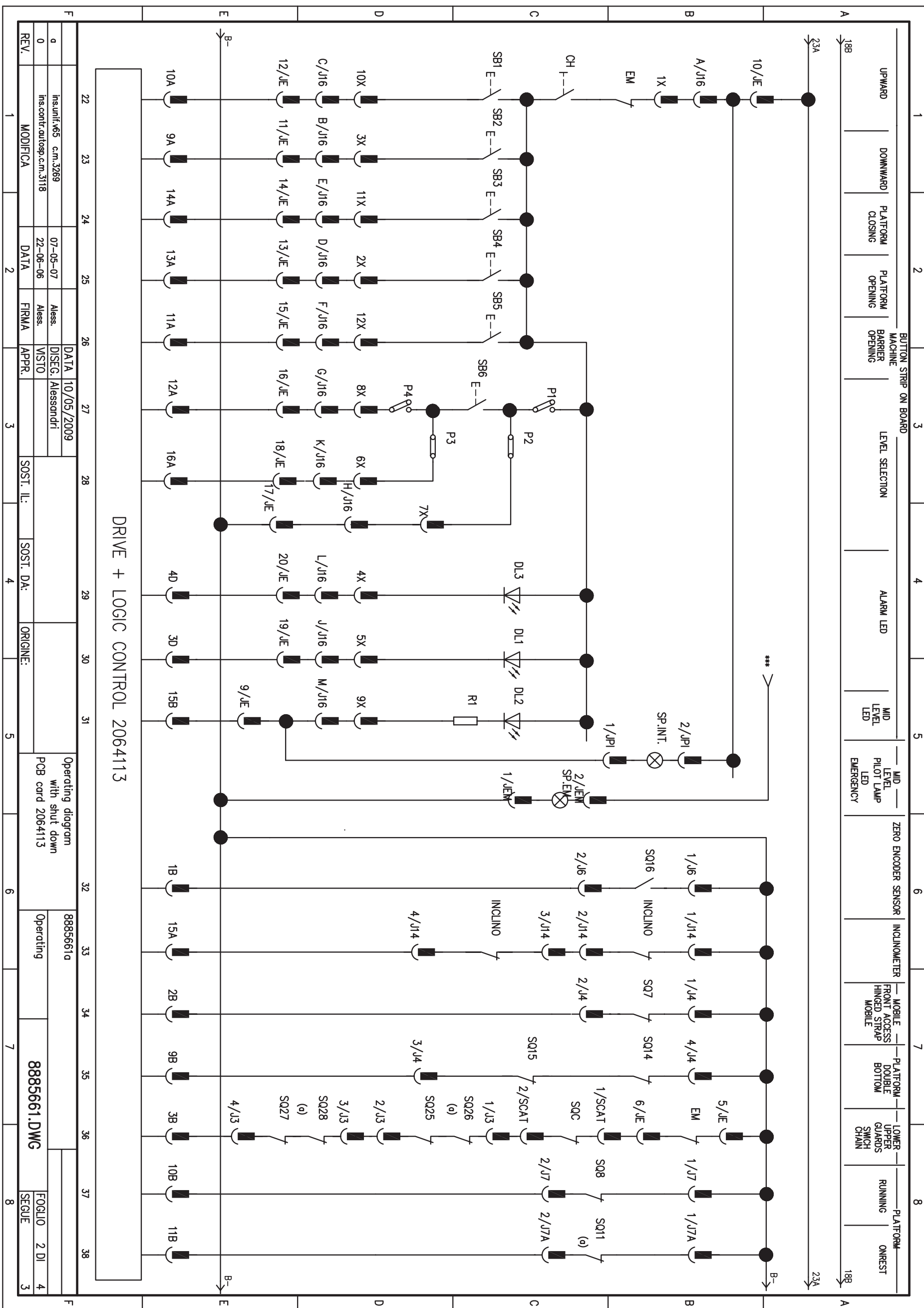
**APPENDIX A**  
**ELECTRICAL SCHEMATICS**

Part No. 000727

Copyright © 2010  
Savaria Corporation  
All rights reserved

Printed in Canada





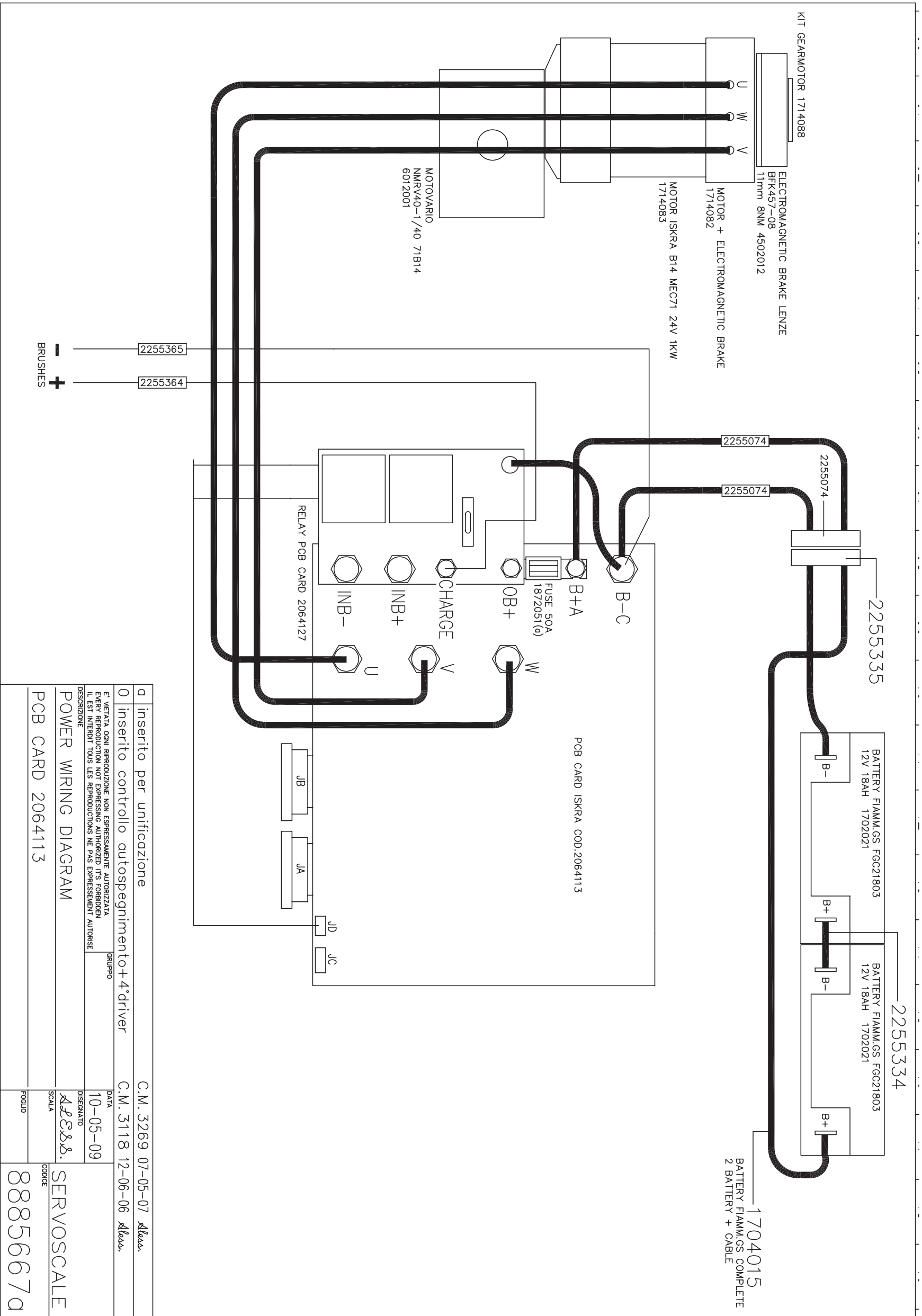


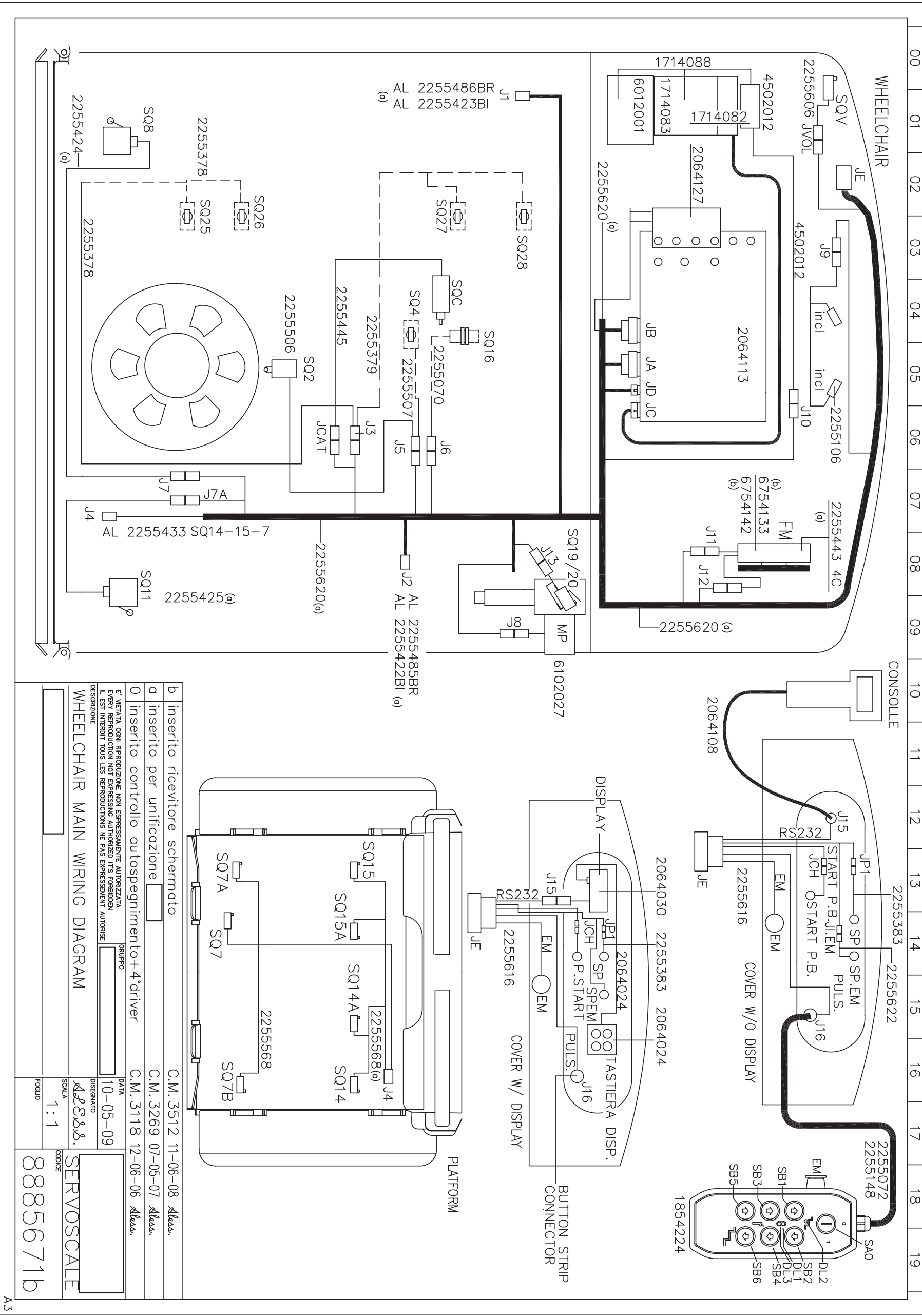


**ENGLISH**

<i>Simbolo</i>	<i>Descrizione</i>	<i>Foglio</i>	<i>Ramo Diseg.</i>
CHARG,	EMERGENCY BATTERY CHARGER	1	1
FUSE10A	AUXILIARY FUSE	1	1
BAT.24V	12V BATTERY	1	2
FUSE50A	FUSES	1	3
MOS-FET	MOTOR ELECTRONIC CONTROL CARD	1	3
M	TRACTION MOTOR	1	4
KB+ KB-	UPWARD /DESCENT AUXILIARY RELAY	1	11
SQ2	SAFETY GEAR MICROSWITCH	1	13
SQ3	FINAL LIMITS	1	13
SQ4	FINAL LIMITS	1	13
EM	EMERGENCY STOP	1	13
SQV	OPERATING EMERGENCY	1	14
START	KEY	1	15
TELE	REMOTE RADIO CONTROL RECEIVER	1	17
E2S	REMOTE RISE ON-OFF SWITCH	1	18
E2D	REMOTE DESCENT ON-OFF SWITCH	1	19
E2AP	REMOT PLATFORM OPENING	1	20
E2CP	REMOTE PLATFORM CLOSING	1	21
EM	EMERGENCY STOP BUTTON STRIP ON BOARD	2	22
CH	KEYED SWITCH ON BOARD	2	22
SB1	UPWARD PUSHBUTTON	2	22
SB2	DOWNWARD PUSHBUTTON	2	23
SB3	PLATFORM CLOSING PUSHBUTTON	2	24
SB4	PLATFORM OPENEING PUSHBUTTON	2	25
SB5	OPEN BAR PUSHBUTTON	2	26
SB6	CLOSED BAR PUSHBUTTON	2	27
DL3	COMANDS LED	2	29
DL1	PCB LED	2	30
DL2	LED FLOOR PUSHBUTTON	2	31
SP.INT.	MID LEVEL PILOT LAMP	2	31
SP.EM	LED EMERGENCY	2	31
SQ16	ZERO ENCODER SENSOR	2	32
INCLINO	RIGHT INCLINATION SWITCH	2	33
INCLINO	LEFT INCLINATION SWITCH	2	33
SQ7	SIDE FRONTAL SWITCH	2	34
SQ14-15	PLATFORM UNDERSURFACE SWITCH	2	35
EM	EMERGENCY	2	36
SQC	CHAIN SWITCH	2	36
SQ25-26-27-28	LOWER UPPER GUARDS	2	36
SQ8	PLATFORM OPENEING SWITCH	2	37
SQ11	PLATFORM CLOSED SWITCH	2	38
SQ5	RIGHT BAR CLOSED SWITCH	3	39
SQ9	RIGHT BAR OPENED SWITCH	3	40
SQ6	LEFT BAR CLOSED SWITCH	3	41
SQ10	LEFT BAR CLOSED SWITCH	3	42
SQ17	RIGHT ANTICOLLISION SWITCH	3	43
SQ13	LEFT ANTICOLLISION LEFT	3	44
SQ19	PLATFORM OPENED SWITCH	3	45
SQ20	PLATFORM CLOSING SWITCH	3	46
FEM	ELECTROMAGNETIC BRAKE	3	47
MB1	LEFT BAR MOTOR	3	48
MB2	RIGHT BAR MOTOR	3	49
MP	PLATFORM MOTOR	3	50
MB3	OPTIONAL BAR	3	51
GF	OPTICAL WARNING	3	52
OPT	OPTIONA LAMP	3	53

**Note**

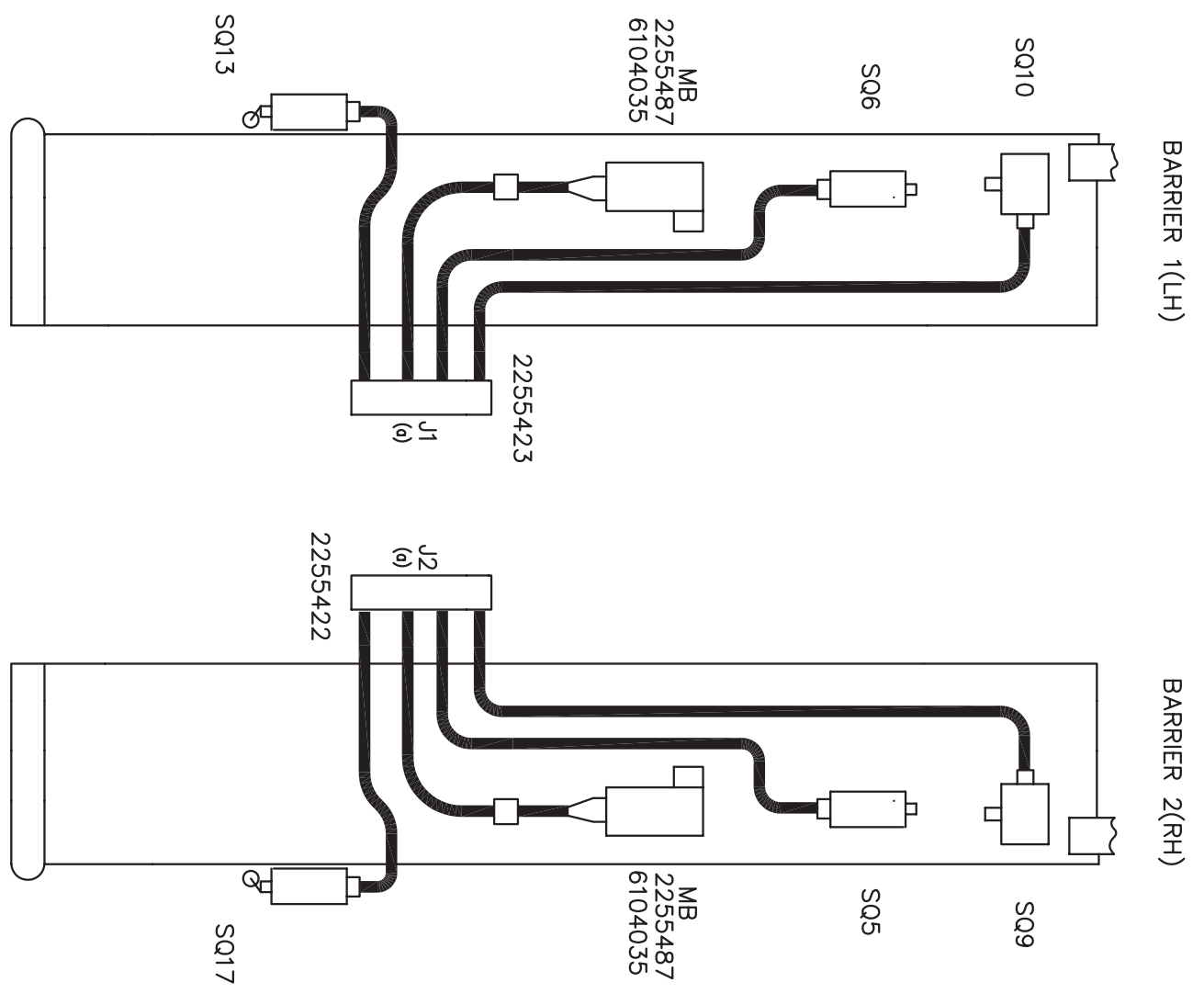




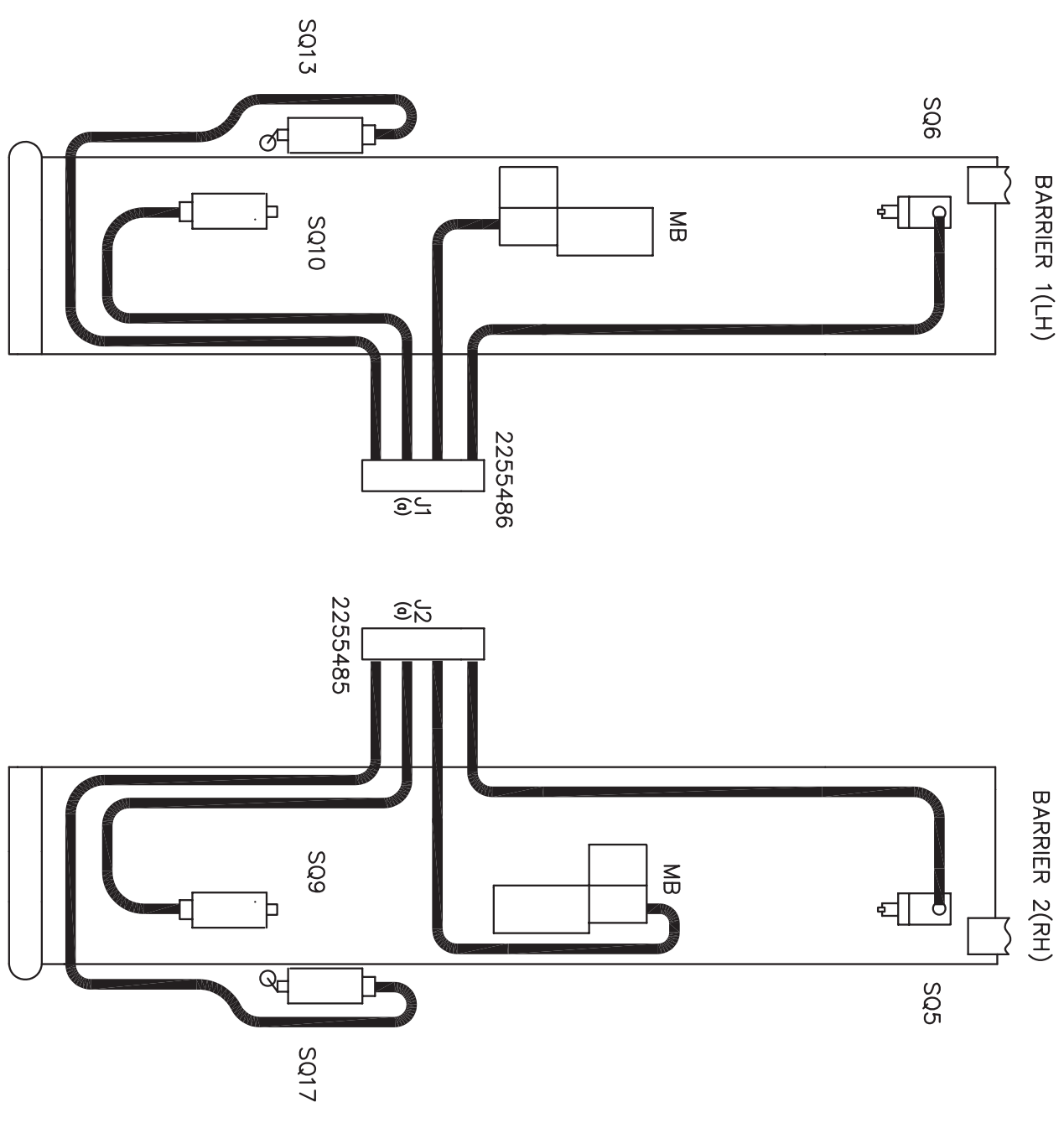
b	inserito ricevitore schermato	C.M. 3512 11-06-08	Alas.
d	inserito per unificazione	C.M. 3269 07-05-07	Alas.
O	inserito controllo autospegnimento+4driver	C.M. 3118 12-06-06	Alas.
E' VIETATA OGNI RIPRODUZIONE NON ESPRESSAMENTE AUTORIZZATA EVERY REPRODUCTION NOT EXPRESSING AUTHORIZED IT'S FORBIDDEN IL EST INTERDIT TOUTS LES REPRODUCTIONS NE PAS EXPRESSMENT AUTORISE		GRUPPO	DATA
DESCRIZIONE		10-05-09	10-05-09
WHEELCHAIR MAIN WIRING DIAGRAM		DISEGNATO	SCALA
		1:1	1:1
		Foglio	COORDINATE
			8885671b

00 01 02 03 04 05 06 07 08 09 10 11 12 13 14 15 16 17 18 19

Layout of independent barrier microswitches



Layout of retractable barrier microswitches



α inserito per unificazione C.M. 3269 07-05-07 *Alvax*

0 inserito controllo autospegnimento+4driver C.M. 3118 12-06-06 *Alvax*

DESCRIZIONE E' VIETATA OGNI RIPRODUZIONE NON ESPRESSAMENTE AUTORIZZATA  
 EVERY REPRODUCTION NOT EXPRESSING AUTHORIZATION IS FORBIDDEN  
 IL ESTI INTERDIT TOUS LES REPRODUCTIONS NE PAS EXPRESSEMENT AUTORISE

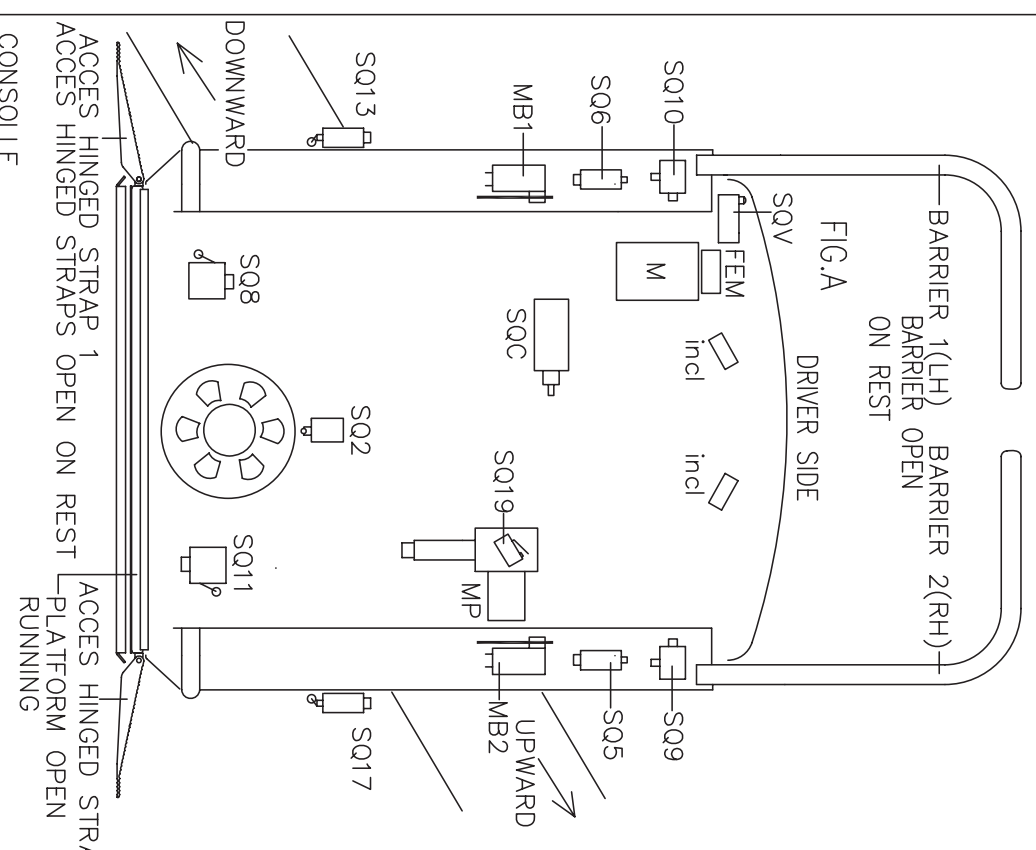
ASSEMBLING DIAGRAM BARRIER

GRUPPO	DATA	DESIGNATO	SCALA	FOGLIO	CODICE
	10-05-09	<i>Alvax</i>	1:1		8885672α

SERVOSCALE

8885672α

Layout of independent barrier microswitches on right machine



Layout of retractable barrier microswitches on left machine

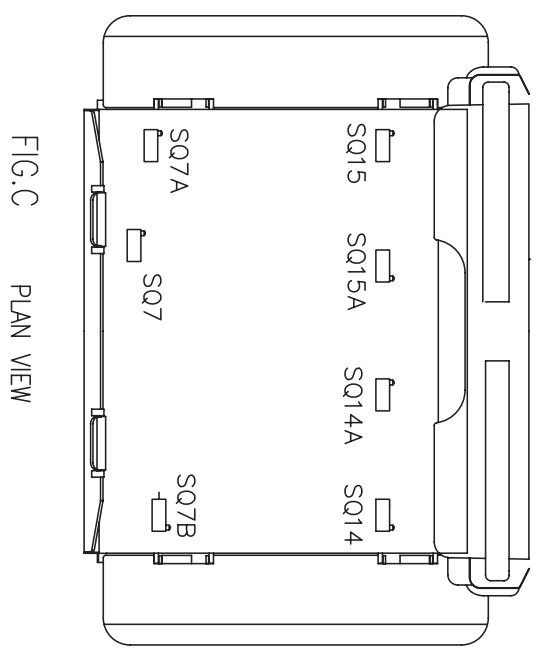
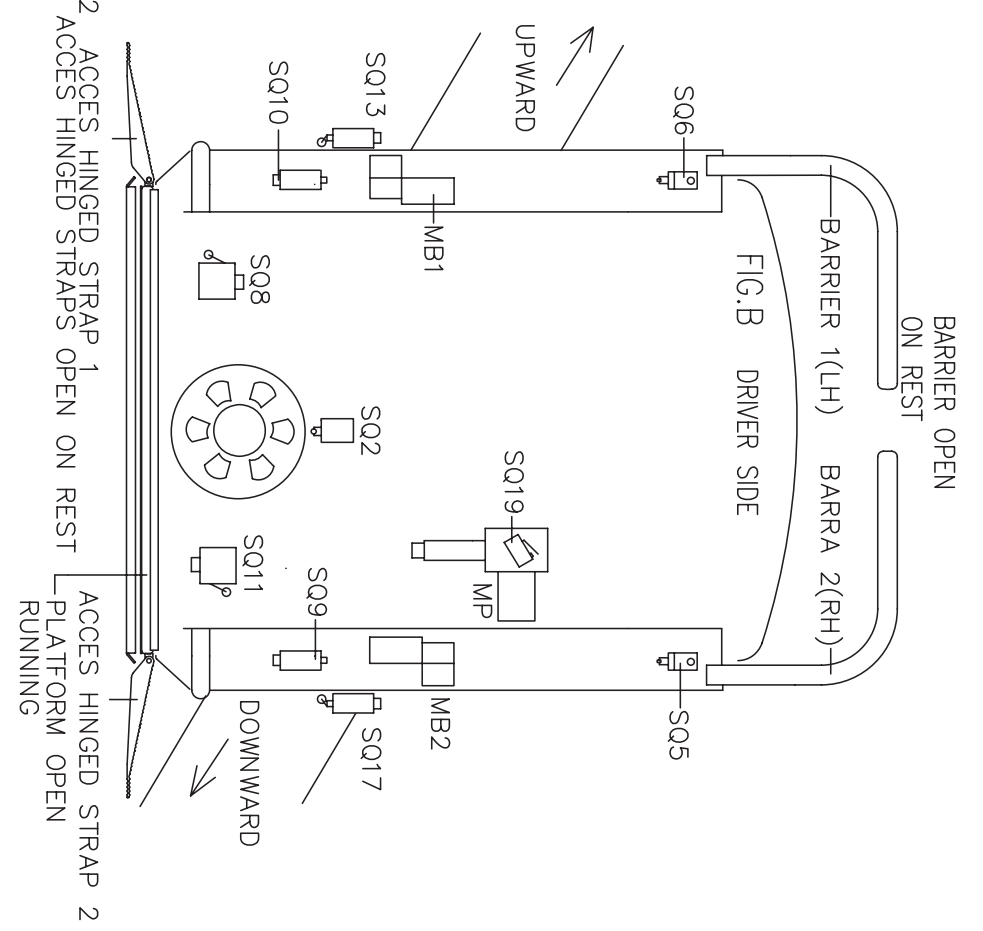


FIG. C PLAN VIEW

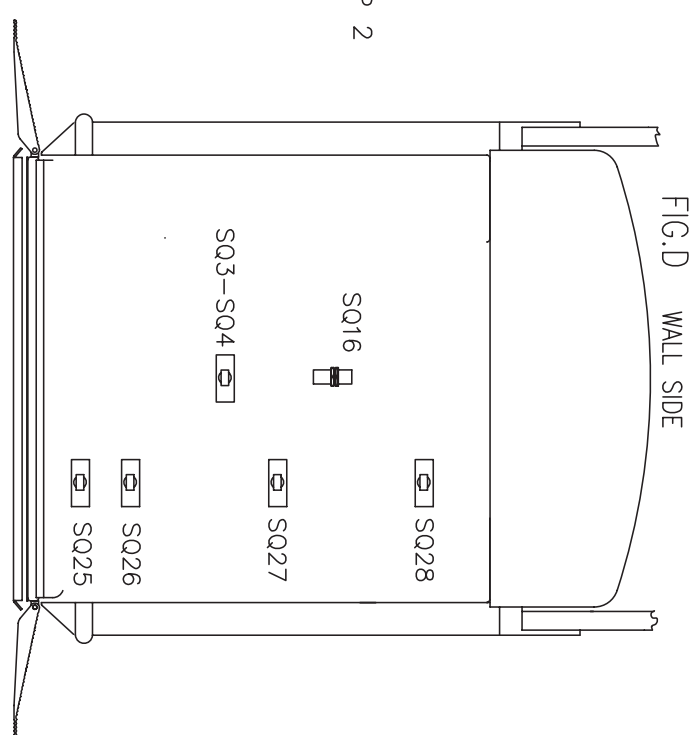


FIG. D WALL SIDE

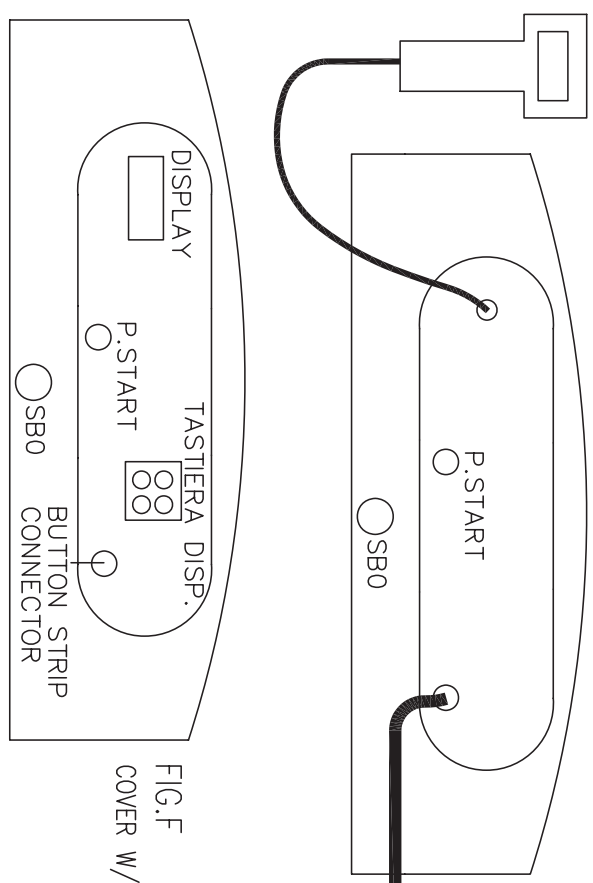


FIG. E COVER W/O DISPLAY

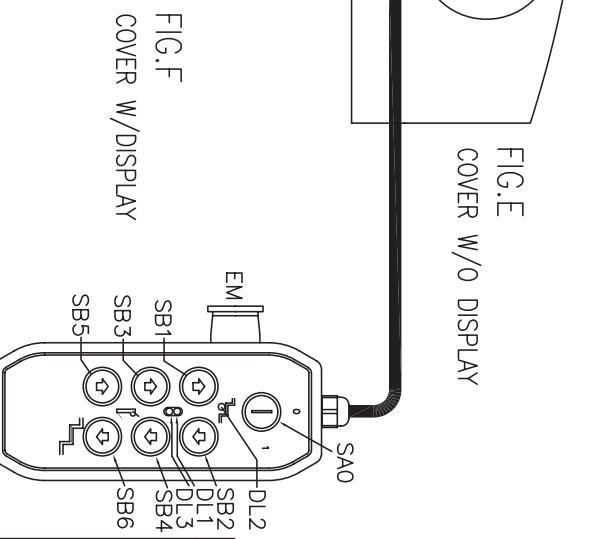
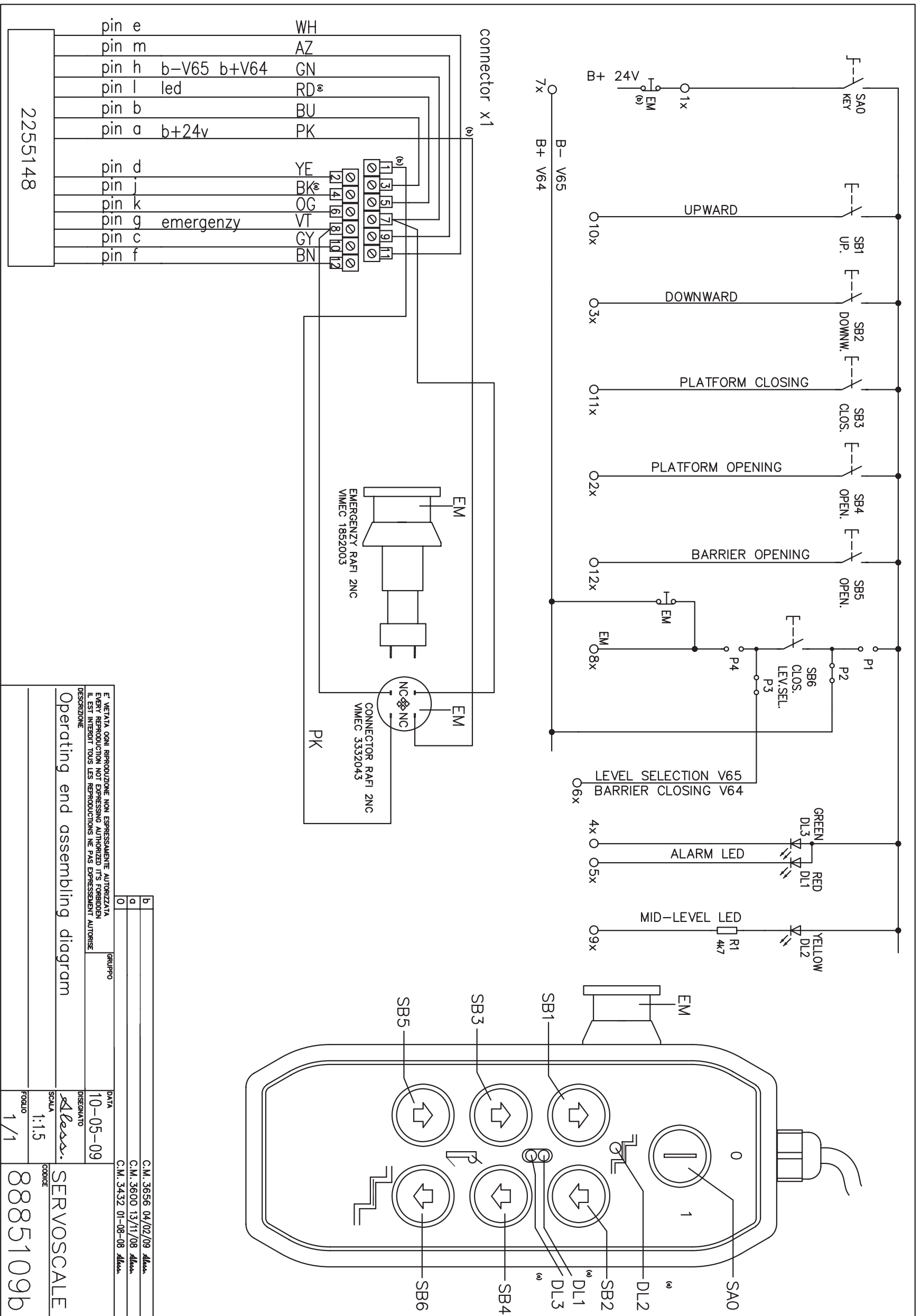


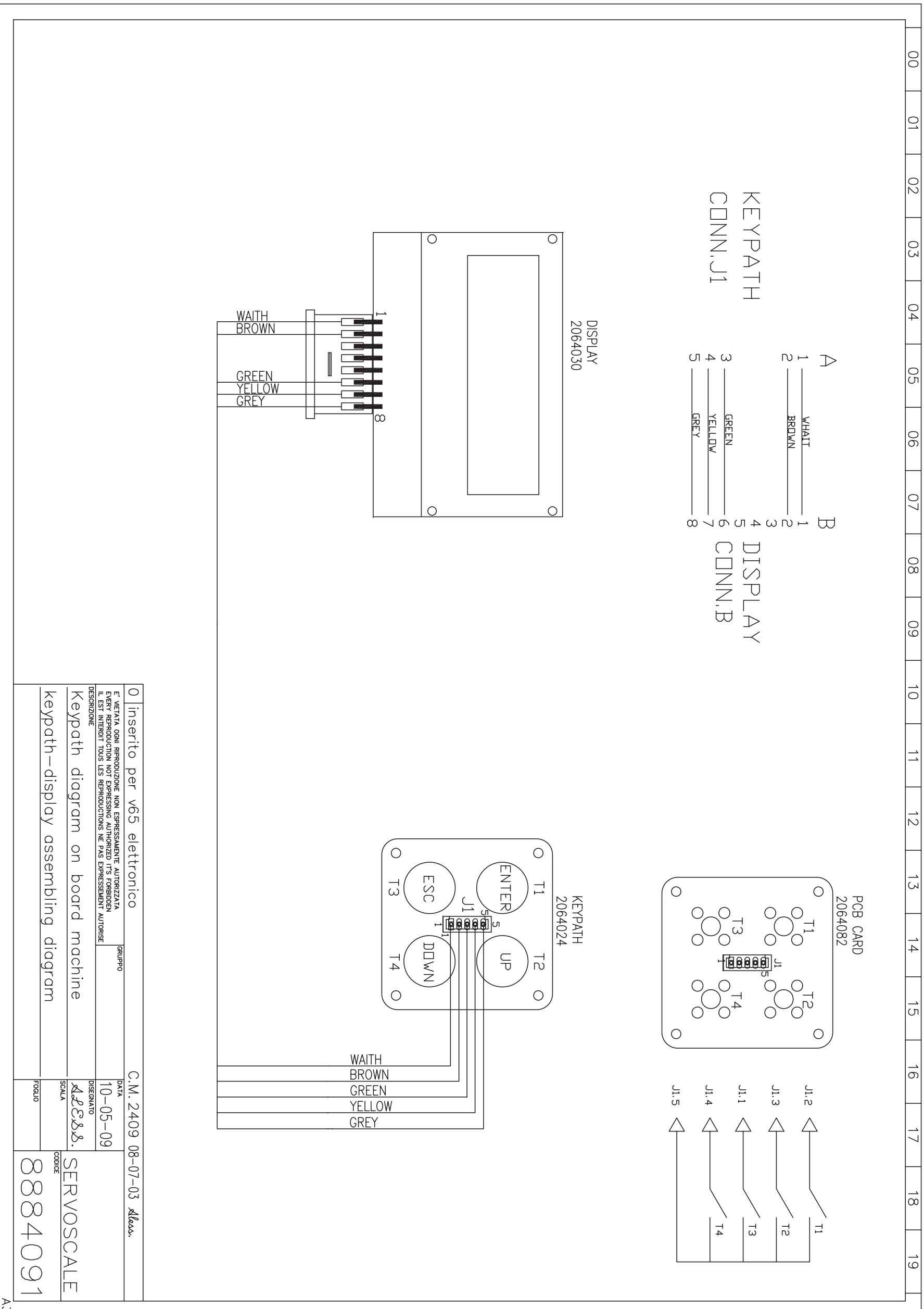
FIG. F COVER W/DISPLAY

0		inserito controllo autospegnimento+4*driver		C.M. 3118 12-06-06 Al... 10-05-09	
DESCRIZIONE		E' VIETATA OGNI RIPRODUZIONE NON ESPRESSAMENTE AUTORIZZATA EVERY REPRODUCTION NOT EXPRESSING AUTHORIZED IT'S FORBIDDEN IL ESTI INTERDIT TOUTS LES REPRODUCTIONS NE PAS EXPRESSIVEMENT AUTORISE		DATA	
MICROSWITCCH LAYOUT DIAGRAM AND LIST		DESCRIZIONE		DISGNATO	
OF FUNCTIONS		MICROSWITCCH LAYOUT DIAGRAM AND LIST		SCALA	
				1 : 1	
				FOGLIO	
				1 di 3	
				SERVOSCALE	
				CODICE	
				8885673	

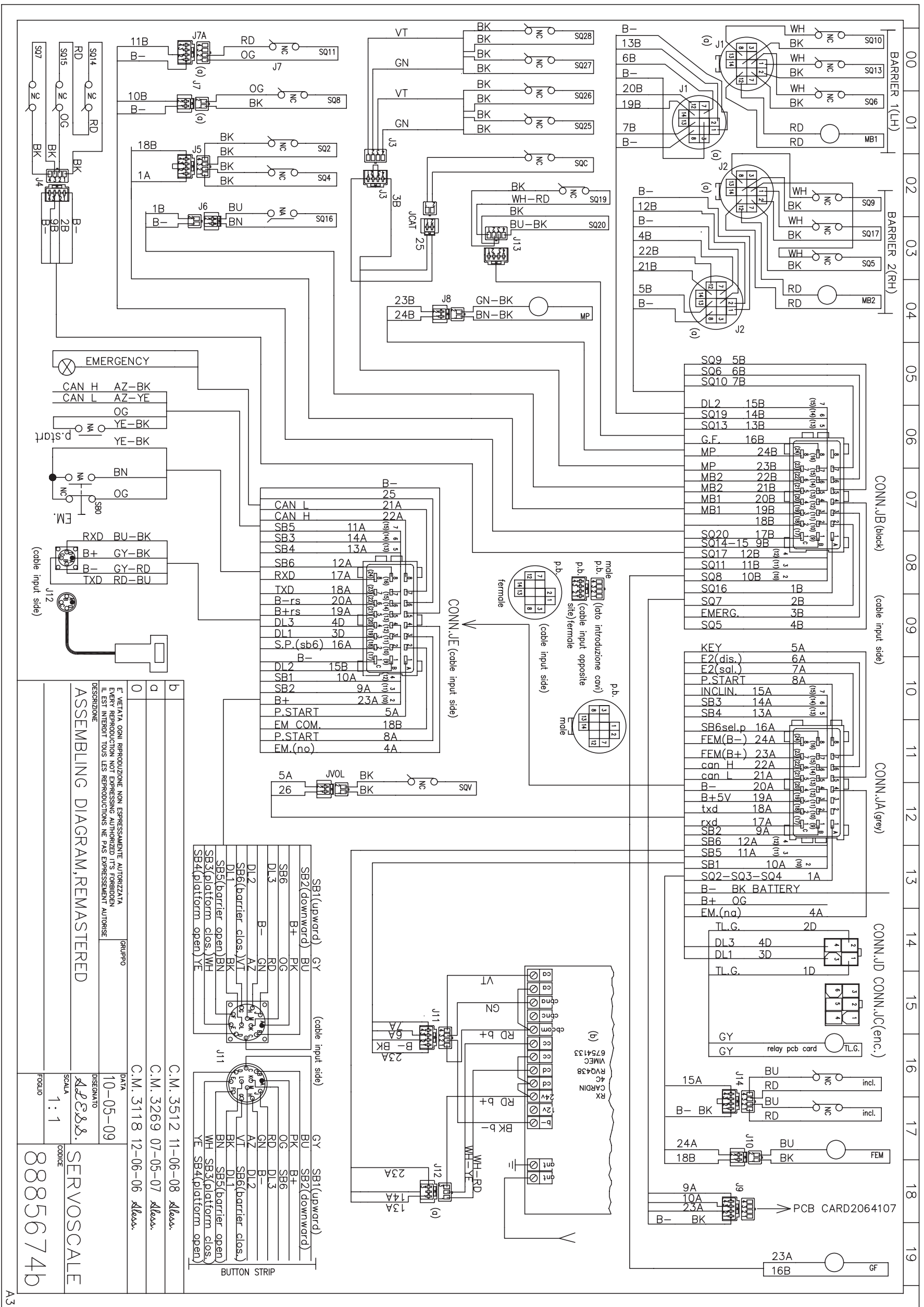


Operating end assembling diagram

E' VIETATA OGNI RIPRODUZIONE NON ESPRESSAMENTE AUTORIZZATA EVERY REPRODUCTION NOT EXPRESSING AUTHORIZED IT'S FORBIDDEN IL EST INTERDIT TOUTS LES REPRODUCTIONS NE PAS EXPRESSMENT AUTORISE		GRUPPO
DATA	10-05-09	
DISSEGNIATO	<i>Aless.</i>	
SCALA	1:1.5	
Foglio	1/1	
SERVOSCALE		
CODICE		8885109b
C.M. 3656	04/02/09	<i>Aless.</i>
C.M. 3600	13/11/08	<i>Aless.</i>
C.M. 3432	01-08-08	<i>Aless.</i>



A3





**C65**  
**Inclined Platform Lift**

**APPENDIX A**  
**ELECTRICAL SCHEMATICS**

Part No. 000727  
Copyright © 2010

Savaria Corporation  
Lifts and Elevators  
[www.savaria.com](http://www.savaria.com)

Support  
107 Alfred Kuehne Blvd.  
Brampton, Ontario, L6T 4K3, Canada  
Toll free: (800) 791-7999  
Fax: (905) 791-2222

